

PMT.200



SUPER-technopolymer lever indexing plungers with rest position

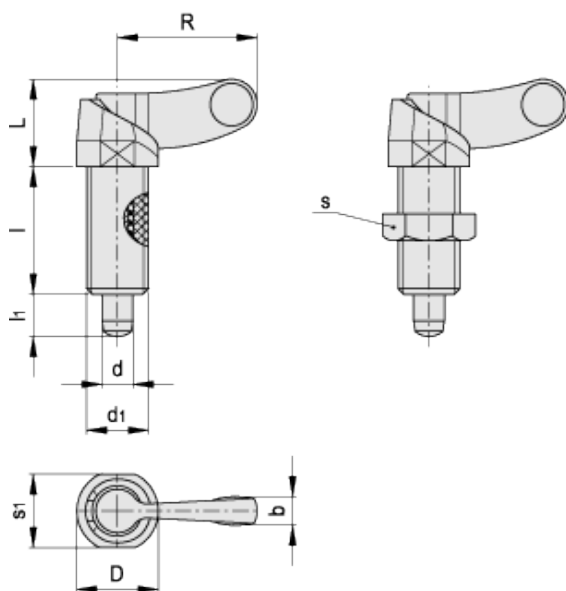


ELESA Original design



PMT.200-A
PMT.200-SST-A

PMT.200-AK
PMT.200-SST-AK



technical informations

Threaded body

Special glass-fibre reinforced polyamide based (PA) SUPER-technopolymer. Resistant to solvents, oils, greases and other chemical agents.

Plunger

Black-oxide hardened steel or AISI 303 stainless steel.
Suggested tolerance H7 for matching hole.

Lever

Self-lubricating glass-fibre reinforced polyamide based (PA) technopolymer, black colour, matte finish. Resistant to solvents, oils, greases and other chemical agents.

The slightly convex marks made on the lever offer an excellent support for the fingers positioning.

Spring

AISI 302 stainless steel.

Locking nut

Special glass-fibre reinforced polyamide based (PA) SUPER-technopolymer. Resistant to solvents, oils, greases and other chemical agents.

Standard executions

- PMT.200-A: black-oxide steel plunger, without locking nut.
- PMT.200-AK: black-oxide steel plunger, with locking nut (supplied not assembled).
- PMT.200-SST-A: AISI 303 stainless steel plunger, without locking nut, not magnetic.
- PMT.200-SST-AK: AISI 303 stainless steel plunger, with locking nut (supplied not assembled), not magnetic.

Features and applications

- PMT.200 lever indexing plungers are used when the plunger must be retracted quickly.
- By rotating the lifting lever by 180°, the plunger stops in the retracted position where the lever is kept in this position by a notch.
- High lightness combined with high mechanical resistance of the product.
- Anticorrosive material: suitable even in the presence of liquid or humidity (PMT.200-SST).
- Resistant to several cleaning cycles with solvents and other chemical agents, for this reason they are suitable for applications as in the pharmaceutical or food industry.
- The SUPER-technopolymer threaded body of the plunger offers a low friction factor to the plunger stroke; no lubricating maintenance is required.
- Under laboratory tests, the special tribologic properties of the materials used allow a great number of operations without wearing or malfunctioning of the parts.

Assembly instructions

Make sure that no machining residues are left on the threaded hole for the assembly of PMT.200 indexing plunger (see fig. 1). Do not make any chamfering in the hole (see fig. 2). SUPER-technopolymer product according to Elessa technology, threaded body and plunger dimensions based on GN 612 standards in agreement with Otto Ganter GmbH & Co. KG. Knob: original design by Elessa.

Fig.1

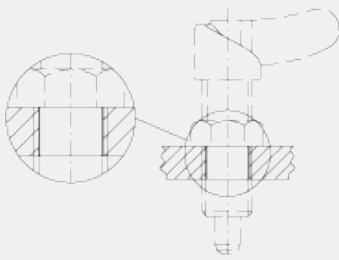
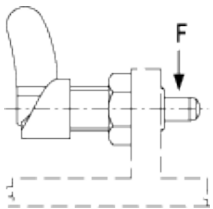
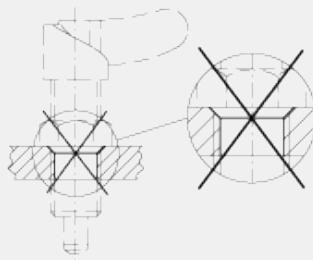


Fig.2



Standard Elements	Main dimensions	Spring pressure	Maximum tightening torque	Max static load *	Weig
-------------------	-----------------	-----------------	---------------------------	-------------------	------

Code	Description	d ^{-0.1 -} _{0.15}	d ₁	D	R	L	b	I	I ₁	s ₁	s	Preload [N]	Max. load [N]	[Nm]	F [N]	g
51702	PMT.200-6-M12x1.5-A	6	M12x1.5	15.5	26.5	17.5	5.5	26	8	14	-	9	35	10	3000	20
51711	PMT.200-8-M16x1.5-A	8	M16x1.5	20.5	32.5	21	7	30	10	19	-	10	40	18	3000	26
51722	PMT.200-6-M12x1.5-AK	6	M12x1.5	15.5	26.5	17.5	5.5	26	8	14	19	9	35	10	3000	25
51731	PMT.200-8-M16x1.5-AK	8	M16x1.5	20.5	32.5	21	7	30	10	19	24	10	40	18	3000	31

* This value may cause the breaking of the threaded body or the plunger deformation such as to prejudice the operation of the pin.

Standard Elements		Main dimensions										Spring pressure		Maximum tightening torque	Max static load *	Weight
Code	Description	d ^{-0.1 -} _{0.15}	d ₁	D	R	L	b	I	I ₁	s ₁	s	Preload [N]	Max. load [N]	[Nm]	F [N]	g
51752	PMT.200-SST-6-M12x1.5-A	6	M12x1.5	15.5	26.5	17.5	5.5	26	8	14	-	9	35	10	2000	20
51761	PMT.200-SST-8-M16x1.5-A	8	M16x1.5	20.5	32.5	21	7	30	10	19	-	10	40	18	2000	26
51772	PMT.200-SST-6-M12x1.5-AK	6	M12x1.5	15.5	26.5	17.5	5.5	26	8	14	19	9	35	10	2000	25
51781	PMT.200-SST-8-M16x1.5-AK	8	M16x1.5	20.5	32.5	21	7	30	10	19	24	10	40	18	2000	31

* This value may cause the breaking of the threaded body or the plunger deformation such as to prejudice the operation of the pin.



ELESA and GANTER models all rights reserved in accordance with the law. Always mention the source when reproducing our drawings.

STANDARD MACHINE ELEMENTS WORLDWIDE